

DUAL BLADE HEDGE TRIMMER

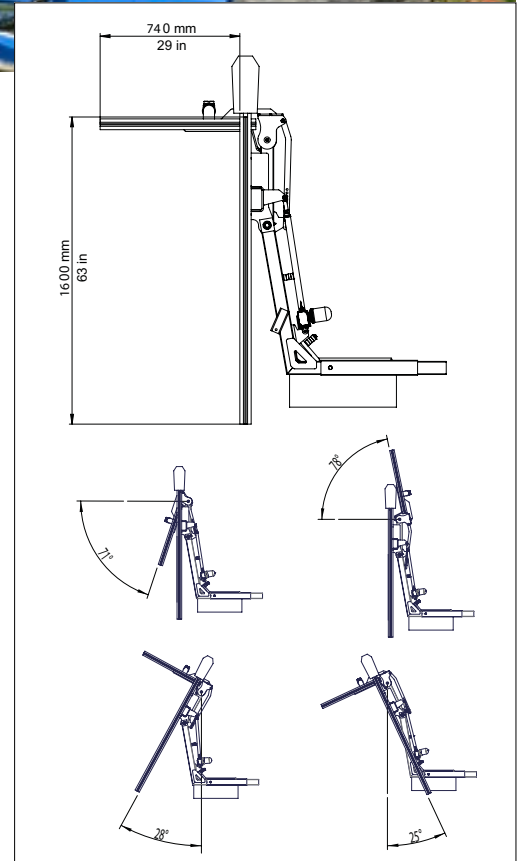
<http://tiny.cc/Vineyardtrimmer>



FEATURES & BENEFITS

- Dual cutting action saves time
- Completely adjustable
- Easy to control

The hydraulically powered dual blade hedge trimmer allows the top and sides of large plants to be cut simultaneously. Each frame and cutter assembly is independently adjustable, and the MultiOne's boom provides additional flexibility and control.



Model	Vertical Bar Length	Horizontal Bar Length	Weight	Code	Price
Double Blade Hedge Trimmer	160 cm (63 in)	74 cm (29,1 in)	160 kg (353 lbs)	C890441	

Compatibility	M14	M2	S520 S525	4.2 5.2	5.3 7.2	6.3	7.3	8.4	9.5 G1980	9.6 G1980	10.8 10.9	6.3SD	7.3SD 8.4SD	9.5SD	
	Very compatible					Compatible					Not compatible				



Copyright © 2017 by MultiOne Srl. All rights reserved. No part of this publication may be reproduced, distributed, or transmitted in any form or by any means. The information and images in this document are provided for illustrative purposes only and do not bind the manufacturer, who reserves the right to make modifications at any time without prior warning.