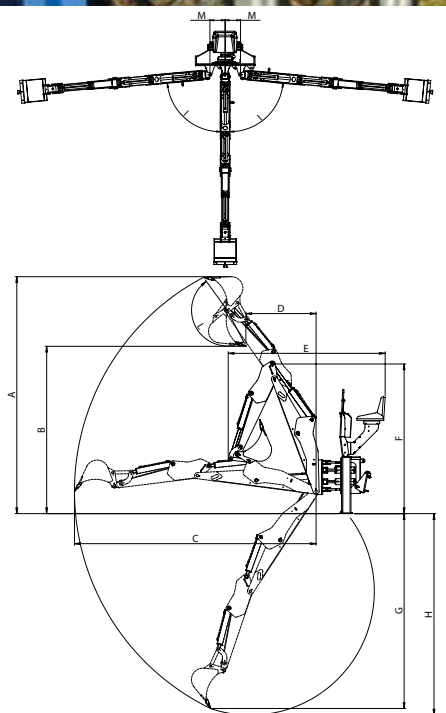
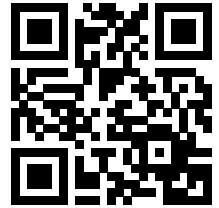


BACKHOE

<http://tiny.cc/backhoe>



FEATURES & BENEFITS

- Powerful backhoe, with 180° rotation
- Excellent visibility of the digging area

The MultiOne backhoe is a compact yet powerful excavator. It's ideal for landscaping and nursery projects, sewage system and septic tank excavating, water and power line trenching, and many other excavating projects. Using MultiOne's quick mount system, this backhoe is quick and easy to attach. A standard part of the backhoe are the independent operator's seat and hydraulic controls.

	A	B	C	D	E	F	G	H	I	L	M
215	2702 mm (106.4 in)	1766 mm (69.5 in)	2709 mm (106.6 in)	729 mm (28.7 in)	1890 mm (74.4 in)	1749 mm (68.8 in)	2135 mm (84 in)	2212 mm (87 in)	85°	172°	266 mm (10.5 in)
260	3141 mm (123.6 in)	2219 mm (87.4 in)	3204 mm (126 in)	931 mm (36.6 in)	2081 mm (81.9 in)	1984 mm (78.1 in)	2583 mm (101.7 in)	2671 mm (105 in)	85°	172°	266 mm (10.5 in)

Model	Digging Depth	Width	Weight	Code	Price
Backhoe 215 with bucket 40	215 cm (84.6 in)	/	530 kg (1168 lbs)	C890117	
Backhoe 260 with bucket 40	260 cm (102.4 in)	/	600 kg (1322 lbs)	C890120	

Options					
Bucket 25 - 2d	/	25 cm (9.8 in)	25 kg (55 lbs)	C890111	
Bucket 40 - 3d	/	40 cm (15.7 in)	35 kg (77 lbs)	C890112	
Bucket 70 - 5d	/	70 cm (27.5 in)	47 kg (104 lbs)	C890113	
Bolt-on tooth kit (each) d	/	/	1,7 kg (3.7 lbs)	C890007	

Compatibility	1.1 M14	2.3 MK-MZ	3.520 S525	4.2 5.2	5.3 7.2	6.3	7.3	8.4	9.5 G1880	9.6 G1980	10.8 10.9	6.3SD	7.3SD 8.4SD	9.5SD
Model														
215														
260														

Very compatible ■ Compatible ■ Not compatible ■